

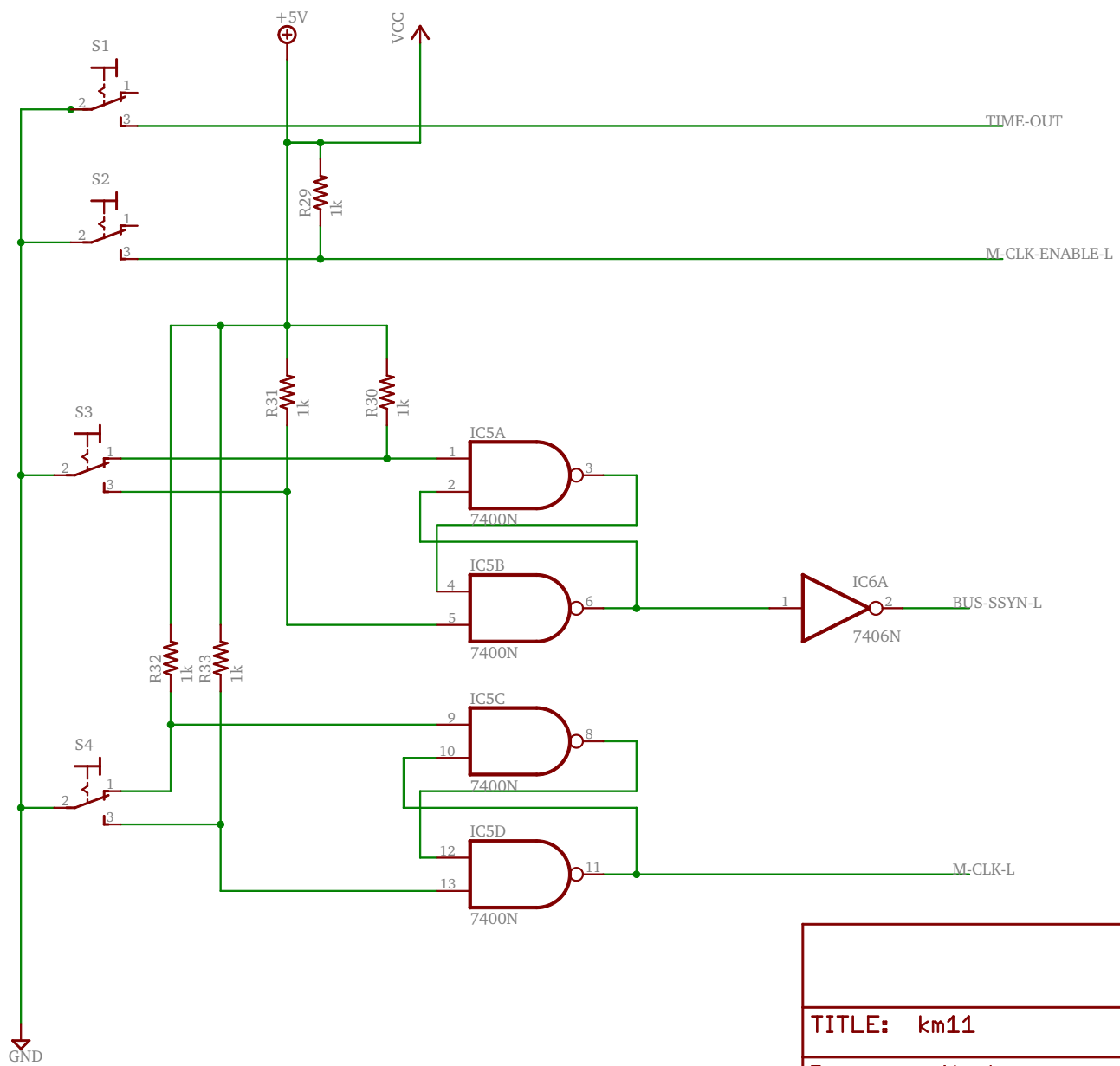
TITLE: km11

Document Number:

REV:

Date: 11/13/2004 20:52:22

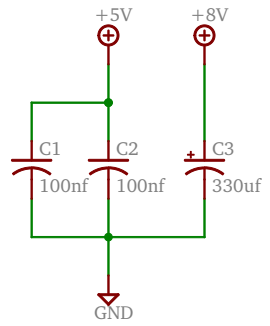
Sheet: 1/4



TITLE: km11

Document Number: _____ REV: _____

Date: 11/13/2004 20:52:22 Sheet: 2/4



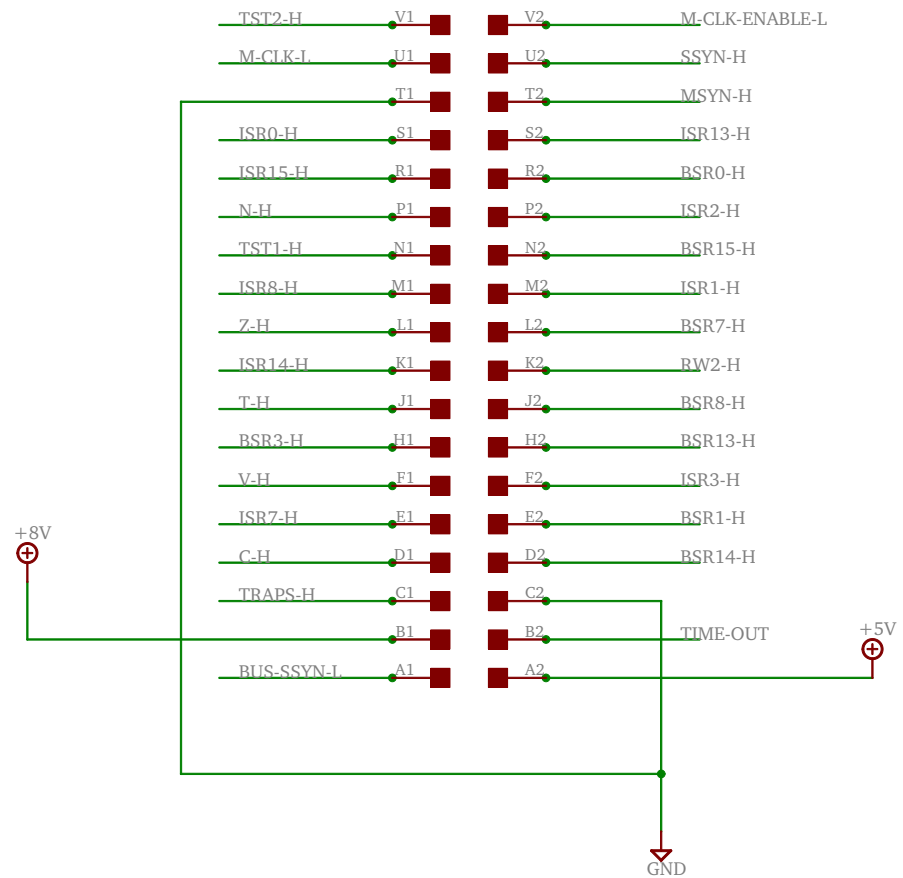
TITLE: km11

Document Number:

REV:

Date: 11/13/2004 20:52:22

Sheet: 3/4



TITLE: km11

Document Number:

REV:

Date: 11/13/2004 20:52:22

Sheet: 4/4